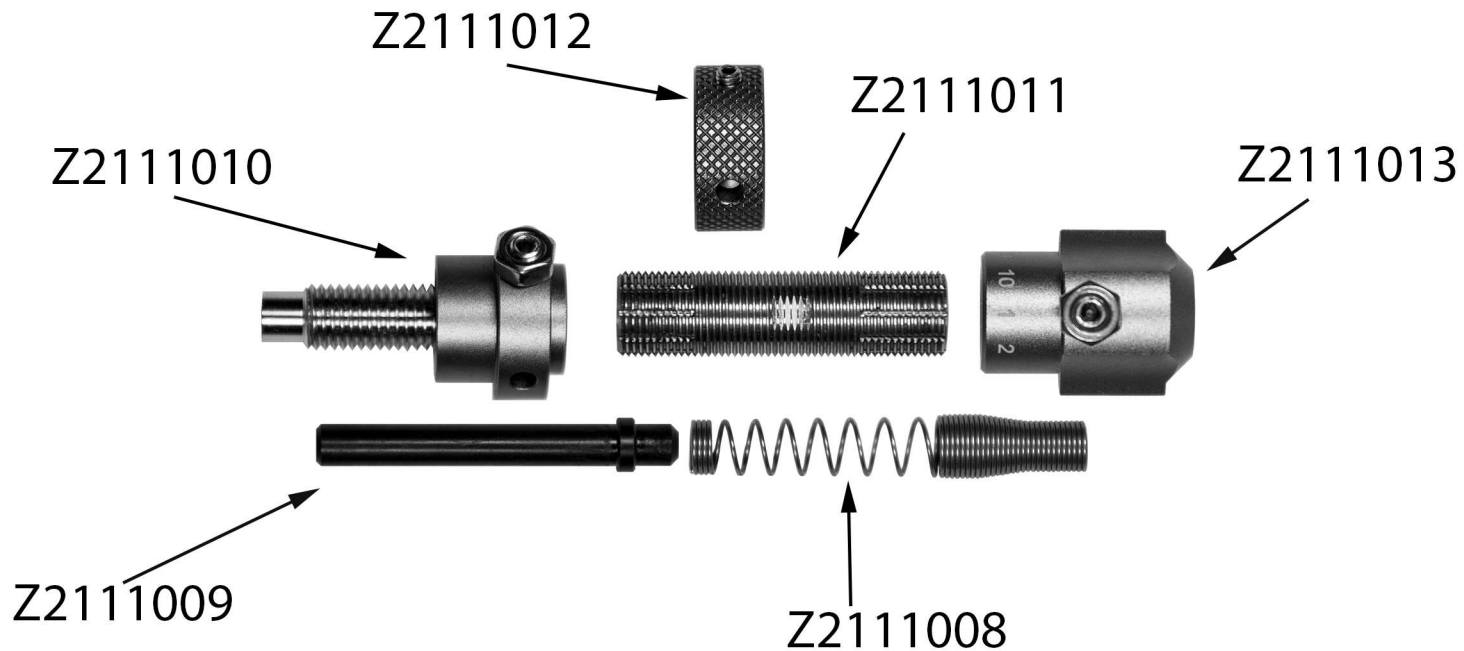


ZNIPER Zextant spare part overview



- Z2111008 => ZNIPER Zextant Replacement Springs 3 pcs. || (soft, medium, hard)
- Z2111009 => ZNIPER Zextant Replacement Pins || 3 pcs. of the same size
- Z2111010 => ZNIPER Zextant Basic Body || incl. screws and raster
- Z2111011 => ZNIPER Zextant Basic Sleeve
- Z2111012 => ZNIPER Zextant Basic Wheel || incl. screws and washers
- Z2111013 => ZNIPER Zextant Adjustment Wheel || incl. screws and raster
- Z2111014 => ZNIPER Zextant Spare Parts || mixed set of screws and rasters to refit the Zextant
- Z2111017 => ZNIPER Zextant Clamping Tool || to screw the Zextant on the bow and tune the Zextant